

For Portable Use of Machine Tooling

Remote-Feed Portahones

I.D. Range:

37,59 mm – 44,45 mm

1.480"–1.750"

Remote-Feed Portahones

Maximum Reach Length = Length that can be honed without Drive Shaft Extensions (permits overstroke in open holes).

To Order: Select appropriate part number and specify open hole or blind hole.

Example: For diameter range 37,6-41,3 mm (1.480"-1.625"), 3-stone length, specify R3G-P28-1500WD Portahone for open hole work. Also order required Drive Shaft Extensions from table at right. Optional Quick Coupler is listed on page 155.

Remote-Feed Portahones*

Diameter Range		Part Number			
		2-Stone Length	3-Stone Length	4-Stone Length	5-Stone Length
Reach Length		Reach Length	Reach Length	Reach Length	Reach Length
mm	in	401,6 mm (15.812")	482,6 mm (19")	565,15 mm (22.250")	649,27 mm (25.562")
37,59-41,27	1.480-1.625	R2G-P28-1500WD	R3G-P28-1500WD	R4G-P28-1500WD	R5G-P28-1500WD
40,77-44,45	1.605-1.750	R2G-P28-1625WD	R3G-P28-1625WD	R4G-P28-1625WD	R5G-P28-1625WD

*Complete with drive mechanism and two universal joints.

I.D. Range:

43,94 mm – 66,68 mm

1.730"–2.625"

Remote-Feed Portahones

Maximum Reach Length = Length that can be honed without Drive Shaft Extensions (permits overstroke in open holes).

To Order: Select appropriate part number and specify open hole or blind hole.

Example: For diameter range 43,94-47,62 mm (1.730"-1.875"), 3-stone length, specify R3G-P28-1750WE Portahone for open hole work. Also order required Drive Shaft Extensions from table. Optional Quick Coupler is listed on page 155.

Remote-Feed Portahones*

Diameter Range		Part Number			
		2-Stone Length	3-Stone Length	4-Stone Length	5-Stone Length
Reach Length		Reach Length	Reach Length	Reach Length	Reach Length
mm	in	401,6 mm (15.812")	482,6 mm (19")	565,15 mm (22.250")	649,27 mm (25.562")
43,94-47,62	1.730-1.875	R2G-P28-1750WE	R3G-P28-1750WE	R4G-P28-1750WE	R5G-P28-1750WE
47,12-50,80	1.855-2.000	R2H-P28-1875WE	R3H-P28-1875WE	R4H-P28-1875WE	R5H-P28-1875WE
50,29-53,97	1.980-2.125	R2H-P28-2000WF	R3H-P28-2000WF	R4H-P28-2000WF	R5H-P28-2000WF
53,47-57,15	2.105-2.250	R2H-P28-2125WF	R3H-P28-2125WF	R4H-P28-2125WF	R5H-P28-2125WF
56,64-60,32	2.230-2.375	R2H-P28-2250WF	R3H-P28-2250WF	R4H-P28-2250WF	R5H-P28-2250WF
59,82-63,50	2.355-2.500	R2H-P28-2375WG	R3H-P28-2375WG	R4H-P28-2375WG	R5H-P28-2375WG
62,99-66,67	2.480-2.625	R2H-P28-2500WG	R3H-P28-2500WG	R4H-P28-2500WG	R5H-P28-2500WG

*Complete with drive mechanism and two universal joints.

Drive Shaft Extensions

May be assembled end to end for required length.

Length (Installed)		Part Number
mm	in	
304,8	12	LN-7285-12A
609,6	24	LN-7285-24A
914,4	36	LN-7285-36A
1219	48	LN-7285-48A
1524	60	LN-7285-60A
1828	72	LN-7285-72A

Note: The Portahone heads from these units may be driven by the drive mechanism (drive shaft and feed-wheel section) of any other Portahone in this group. To purchase a separate head, specify appropriate part number and add "H" to ending suffix. When ordering, specify whether Portahone is for open hole or blind hole work. (Example: R3G-P28-1000VAH Portahone Head for open hole work.)

Drive Shaft Extensions

May be assembled end to end for required length.

Length (Installed)		Part Number
mm	in	
304,8	12	JNR-441
609,6	24	JNR-442
914,4	36	JNR-443
1219	48	JNR-444
1524	60	JNR-445
1828	72	JNR-446

Note: The Portahone heads from these units may be driven by the drive mechanism (drive shaft and feed-wheel section) of any other Portahone in this group. To purchase a separate head, specify appropriate part number and add "H" to ending suffix. When ordering, specify whether Portahone is for open hole or blind hole work. (Example: R3G-P28-1000VAH Portahone Head for open hole work.)

For Portable Use of Machine Tooling

Remote-Feed Portahones

I.D. Range:

66,17 mm – 152,4 mm

2.605"–6.000"

Remote-Feed Portahones

Maximum Reach Length = Length that can be honed without Drive Shaft Extensions (permits overstroke in open holes).

To Order: Select appropriate part number and specify open hole or blind hole.

Example: For diameter range 66,17-69,9 mm (2.605"-2.750"), 4-stone length, specify R4K-P28-2625SC Portahone for open hole work. Also order required Drive Shaft Extensions from table. Optional Quick Coupler is listed on page 155.

Drive Shaft Extensions

May be assembled end to end for required length.

Length (Installed)		Part Number
mm	in	
235	9-1/4	ANR-741
482	19	ANR-742
1086	42-1/4	ANR-744
1835	72-1/4	ANR-746

Note: The Portahone heads from these units may be driven by the drive mechanism (drive shaft and feed-wheel section) of any other Portahone in this group. To purchase a separate head, specify appropriate part number and add "H" to ending suffix indicating open hole or blind hole work. (Example: RHK-P28-2625SCH Portahone Head for open hole work.)

Diameter Range		Part Number			
mm	inches	2-Stone Length	3-Stone Length	4-Stone Length	5-Stone Length
		Reach Length 343 mm (13.500")	Reach Length 425,5 mm (16.750")	Reach Length 511,18 mm (20.125")	Reach Length 593,73 mm (23.375")
66,17-69,85	2.605-2.750	R2K-P28-2625SC	R3K-P28-2625SC	R4K-P28-2625SC	R5K-P28-2625SC
69,34-73,02	2.730-2.875	R2K-P28-2750SC	R3K-P28-2750SC	R4K-P28-2750SC	R5K-P28-2750SC
72,52-76,20	2.855-3.000	R2K-P28-2875SC	R3K-P28-2875SC	R4K-P28-2875SC	R5K-P28-2875SC
75,69-79,37	2.980-3.125	R2K-P28-3000SC	R3K-P28-3000SC	R4K-P28-3000SC	R5K-P28-3000SC
78,87-82,55	3.105-3.250	R2K-P28-3125SD	R3K-P28-3125SD	R4K-P28-3125SD	R5K-P28-3125SD
82,04-85,72	3.230-3.375	R2K-P28-3250SD	R3K-P28-3250SD	R4K-P28-3250SD	R5K-P28-3250SD
85,22-88,90	3.355-3.500	R2K-P28-3375SD	R3K-P28-3375SD	R4K-P28-3375SD	R5K-P28-3375SD
88,39-92,07	3.480-3.625	R2K-P28-3500SD	R3K-P28-3500SD	R4K-P28-3500SD	R5K-P28-3500SD
91,57-95,25	3.605-3.750	R2K-P28-3625SD	R3K-P28-3625SD	R4K-P28-3625SD	R5K-P28-3625SD
94,74-98,43	3.730-3.875	R2K-P28-3750SD	R3K-P28-3750SD	R4K-P28-3750SD	R5K-P28-3750SD
97,92-101,60	3.855-4.000	R2K-P28-3875SD	R3K-P28-3875SD	R4K-P28-3875SD	R5K-P28-3875SD
101,09-104,78	3.980-4.125	R2K-P28-4000SD	R3K-P28-4000SD	R4K-P28-4000SD	R5K-P28-4000SD
104,27-107,95	4.105-4.250	R2K-P28-4125SD	R3K-P28-4125SD	R4K-P28-4125SD	R5K-P28-4125SD
107,44-111,13	4.230-4.375	R2K-P28-4250SD	R3K-P28-4250SD	R4K-P28-4250SD	R5K-P28-4250SD
110,62-114,30	4.355-4.500	R2K-P28-4375SD	R3K-P28-4375SD	R4K-P28-4375SD	R5K-P28-4375SD
113,79-117,48	4.480-4.625	R2K-P28-4500SD	R3K-P28-4500SD	R4K-P28-4500SD	R5K-P28-4500SD
116,97-120,65	4.605-4.750	R2K-P28-4625SD	R3K-P28-4625SD	R4K-P28-4625SD	R5K-P28-4625SD
120,14-123,83	4.730-4.875	R2K-P28-4750SD	R3K-P28-4750SD	R4K-P28-4750SD	R5K-P28-4750SD
123,32-127,00	4.855-5.000	R2K-P28-4875SD	R3K-P28-4875SD	R4K-P28-4875SD	R5K-P28-4875SD
126,49-130,18	4.980-5.125	R2K-P28-5000SD	R3K-P28-5000SD	R4K-P28-5000SD	R5K-P28-5000SD
129,67-133,35	5.105-5.250	R2K-P28-5125SD	R3K-P28-5125SD	R4K-P28-5125SD	R5K-P28-5125SD
132,84-136,53	5.230-5.375	R2K-P28-5250SD	R3K-P28-5250SD	R4K-P28-5250SD	R5K-P28-5250SD
136,02-139,70	5.355-5.500	R2K-P28-5375SD	R3K-P28-5375SD	R4K-P28-5375SD	R5K-P28-5375SD
139,19-142,88	5.480-5.625	R2K-P28-5500SD	R3K-P28-5500SD	R4K-P28-5500SD	R5K-P28-5500SD
142,37-146,05	5.605-5.750	R2K-P28-5625SD	R3K-P28-5625SD	R4K-P28-5625SD	R5K-P28-5625SD
145,54-149,23	5.730-5.875	R2K-P28-5750SD	R3K-P28-5750SD	R4K-P28-5750SD	R5K-P28-5750SD
148,72-152,40	5.855-6.000	R2K-P28-5875SD	R3K-P28-5875SD	R4K-P28-5875SD	R5K-P28-5875SD

*Complete with drive mechanism and two universal joints.

Honing Stones and Guide Shoes:

18,90-25,40 mm (.744"-1.000") Hand-Feed Portahones use standard P20 size honing stones and Guide Shoes found on pages 48-53.

25,15-152,4 mm (.990"-6.000") Hand-Feed and Remote-Feed Portahones use standard P28 or R28 blind hole honing stones and Guide Shoes found on pages 58-59.

Portahones 66,68 mm (2.625") and larger require two Guide Shoes for each stone used in the Portahone.

STANDARD
MANDRELS

STANDARD
TOOLING

PORTABLE
TOOLING

CUSTOM
TOOLING

ABRASIVES

MACHINE
ACCESSORIES

GAGING

FILTERS

HONING FLUIDS
& COOLANTS

TECHNICAL
DATA

For Portable Use of Machine Tooling

Hand-Feed Portahones

I.D. Range:

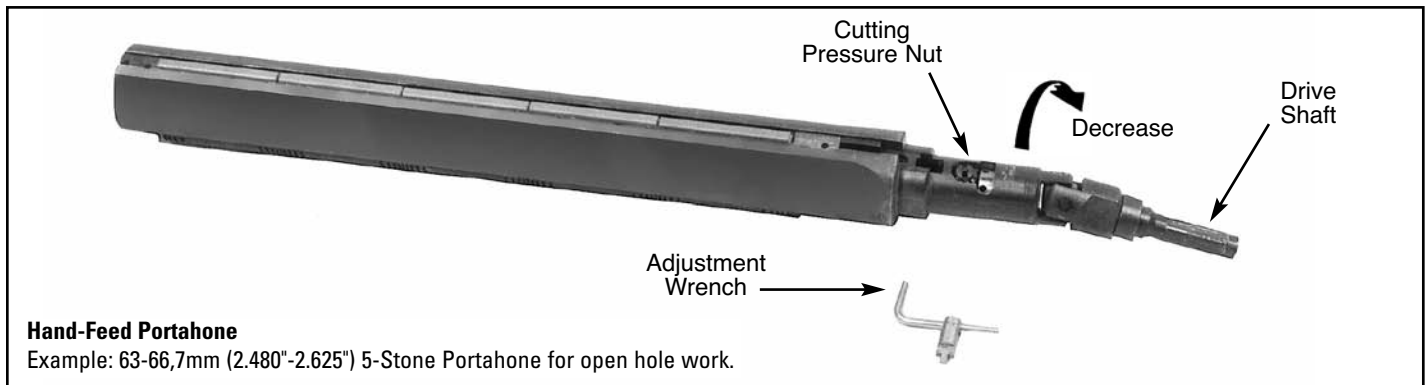
18,90 mm – 152,4 mm

.744"–6.000"

Features a stone feed adjustment located at the Portahone head. An adjustment wrench is provided with each Portahone. The stone adjustment is not accessible when the tool is deep in the bore and the honing operation must be stopped to make the adjustment. At the time the stone adjustment is made, an additional stone feed of up to ,127 mm (.005") may be set into these Portahones. The feed is maintained under tension to compensate for stock removal and stone wear. Portahones with a range of 66,17 mm (2.605") and larger can be converted at the factory to the remote-feed configuration.

18,90-25,40 mm (.744"-1.000") Hand-Feed Portahones use standard P20 size honing stones and guide shoes found on pages 48-53.

25,15-152,4 mm (.990"-6.000") Hand-Feed and Remote-Feed Portahones use standard P28-R28 size honing stones and guide shoes found on pages 58 and 59. Available 4-6 weeks after receipt of order.



I.D. Range:

18,90 mm – 25,40 mm

.774"–1.000"

Hand-Feed Portahones

To Order: Specify appropriate part number.

Example: For diameter range 18,9-19,8 mm (.744"-.781"), 3-stone length, specify P3G-P20-750UA Portahone. **This size range is for open holes only.** Also order required drive shaft extensions from table. Optional Universal Joint and Quick Coupler are listed on page 155.

Maximum Reach Length = Length that can be honed without Drive Shaft Extensions (permits overstroke in open holes).

Diameter Range		Part Number		
		3-Stone Length	4-Stone Length	5-Stone Length
mm	in	Reach Length 342,90 mm (13.500")	Reach Length 406,40 mm (16.000")	Reach Length 4694,90 mm (18.500")
18,90-19,83	.744-.781	P3G-P20-750UA	P4G-P20-750UA	—
19,69-20,62	.775-.812	P3G-P20-781UA	P4G-P20-781UA	—
20,47-21,41	.806-.843	P3G-P20-812UB	P4G-P20-812UB	—
21,29-22,22	.838-.875	P3G-P20-843UB	P4G-P20-843UB	—
22,07-23,01	.869-.906	P3G-P20-875UB	P4G-P20-875UB	P5G-P20-875UB
22,86-23,80	.900-.937	P3G-P20-906UC	P4G-P20-906UC	P5G-P20-906UC
23,65-24,59	.931-.968	P3G-P20-937UC	P4G-P20-937UC	P5G-P20-937UC
24,43-25,40	.962-1.000	P3G-P20-968UC	P4G-P20-968UC	P5G-P20-968UC

*Complete with drive mechanism and two universal joints.

Drive Shaft Extensions

May be assembled end to end for required length.

Length (Installed)		Part Number
mm	in	
304,8	12	AN-241
609,6	24	AN-242
1219,2	48	AN-244

For Portable Use of Machine Tooling

Hand-Feed Portahones

I.D. Range:
25,15 mm – 38,10 mm
.990"–1.500"

Maximum Reach Length = Length that can be honed without Drive Shaft Extensions (permits overstroke in open holes).

To Order: Select appropriate part number and specify open hole or blind hole.

Example: For diameter range 25,15-27,0 mm (.990"-1.062"), 2-stone length, specify P2G-P28-1000VA Portahone for open hole work. Also order required Drive Shaft Extensions from table at right. Optional Universal Joint and Quick Coupler are listed on page 155.

Diameter Range		Part Number			
		2-Stone Length	3-Stone Length	4-Stone Length	5-Stone Length
		Reach Length 314,33 mm (12.375")	Reach Length 396,88 mm (15.625")	Reach Length 481 mm (18.937")	Reach Length 563,55 mm (22.187")
mm	in				
25,15-26,97	.990-1.062	P2G-P28-1000VA	P3G-P28-1000VA	P4G-P28-1000VA	P5G-P28-1000VA
26,72-28,57	1.052-1.125	P2G-P28-1062VA	P3G-P28-1062VA	P4G-P28-1062VA	P5G-P28-1062VA
28,32-30,15	1.115-1.187	P2G-P28-1125VB	P3G-P28-1125VB	P4G-P28-1125VB	P5G-P28-1125VB
29,90-31,75	1.177-1.250	P2G-P28-1187VB	P3G-P28-1187VB	P4G-P28-1187VB	P5G-P28-1187VB
31,24-34,92	1.230-1.375	P2G-P28-1250WB	P3G-P28-1250WB	P4G-P28-1250WB	P5G-P28-1250WB
34,42-38,10	1.355-1.500	P2G-P28-1375WC	P3G-P28-1375WC	P4G-P28-1375WC	P5G-P28-1375WC

*Complete with drive mechanism and two universal joints.

Drive Shaft Extensions

May be assembled end to end for required length.

Length (Installed)		Part Number
mm	in	
304,8	12	AN-241
609,6	24	AN-242
1219,2	48	AN-244

Hand-Feed Portahones

Maximum Reach Length = Length that can be honed without Drive Shaft Extensions (permits overstroke in open holes).

To Order: Select appropriate part number and specify open hole or blind hole.

Example: For diameter range 37,6 – 41,3 mm (1.480"-1.625"), 4-stone length, specify P4G-P28-1500WD Portahone for blind hole work. Also order required Drive Shaft Extensions from table. Optional Universal Joint and Quick Coupler are listed on page 155.

Diameter Range		Part Number			
		2-Stone Length	3-Stone Length	4-Stone Length	5-Stone Length
		Reach Length 352,43 mm (13.875")	Reach Length 434,98 mm (17.125")	Reach Length 520,70 mm (20.500")	Reach Length 603,25 mm (23.750")
mm	in				
37,59-41,27	1.480-1.625	P2G-P28-1500WD	P3G-P28-1500WD	P4G-P28-1500WD	P5G-P28-1500WD
40,77-44,45	1.605-1.750	P2G-P28-1625WD	P3G-P28-1625WD	P4G-P28-1625WD	P5G-P28-1625WD
43,94-47,62	1.730-1.875	P2G-P28-1750WE	P3G-P28-1750WE	P4G-P28-1750WE	P5G-P28-1750WE
47,12-50,80	1.855-2.000	P2H-P28-1875WE	P3H-P28-1875WE	P4H-P28-1875WE	P5H-P28-1875WE
50,29-53,97	1.980-2.125	P2H-P28-2000WF	P3H-P28-2000WF	P4H-P28-2000WF	P5H-P28-2000WF
53,47-57,15	2.105-2.250	P2H-P28-2125WF	P3H-P28-2125WF	P4H-P28-2125WF	P5H-P28-2125WF
56,64-60,32	2.230-2.375	P2H-P28-2250WF	P3H-P28-2250WF	P4H-P28-2250WF	P5H-P28-2250WF
59,82-63,50	2.355-2.500	P2H-P28-2375WG	P3H-P28-2375WG	P4H-P28-2375WG	P5H-P28-2375WG
62,99-66,67	2.480-2.625	P2H-P28-2500WG	P3H-P28-2500WG	P4H-P28-2500WG	P5H-P28-2500WG

*Complete with drive mechanism and two universal joints.

Drive Shaft Extensions

May be assembled end to end for required length.

Length (Installed)		Part Number
mm	in	
304,8	12	AN-841
609,6	24	AN-842
1219,2	48	AN-844

For Portable Use of Machine Tooling

Hand-Feed Portahones

I.D. Range:

66,2 mm – 152,4 mm

2.605"–6.000"

Hand-Feed Portahones

Maximum Reach Length = Length that can be honed without Drive Shaft Extensions (permits overstroke in open holes).

To Order: Specify appropriate part number indicating whether for open hole or blind hole.

Example: For diameter range 66,2-69,9 mm (2.605"-2.750"), 3-stone length, specify P3K-P28-2625SC Portahone for open hole work. Also order required Drive Shaft Extensions from table. Optional Universal Joint and Quick Coupler is listed on page 155.

Drive Shaft Extensions

May be assembled end to end for required length.

Length (Installed)		Part Number
mm	in	
304,8	12	AN-841
609,6	24	AN-842
1219,2	48	AN-844

Remote-Feed Portahones*

Diameter Range		Part Number			
		2-Stone Length	3-Stone Length	4-Stone Length	5-Stone Length
mm	in	Reach Length 355,6 mm (14")	Reach Length 439,72 mm (17.312")	Reach Length 520,70 mm (20.5")	Reach Length 603,25 mm (23.750")
66,17-69,85	2.605-2.750	P2K-P28-2625SC	P3K-P28-2625SC	P4K-P28-2625SC	P5K-P28-2625SC
69,34-73,02	2.730-2.875	P2K-P28-2750SC	P3K-P28-2750SC	P4K-P28-2750SC	P5K-P28-2750SC
72,52-76,20	2.855-3.000	P2K-P28-2875SC	P3K-P28-2875SC	P4K-P28-2875SC	P5K-P28-2875SC
75,69-79,37	2.980-3.125	P2K-P28-3000SC	P3K-P28-3000SC	P4K-P28-3000SC	P5K-P28-3000SC
78,87-82,55	3.105-3.250	P2K-P28-3125SD	P3K-P28-3125SD	P4K-P28-3125SD	P5K-P28-3125SD
82,04-85,72	3.230-3.375	P2K-P28-3250SD	P3K-P28-3250SD	P4K-P28-3250SD	P5K-P28-3250SD
85,22-88,90	3.355-3.500	P2K-P28-3375SD	P3K-P28-3375SD	P4K-P28-3375SD	P5K-P28-3375SD
88,39-92,07	3.480-3.625	P2K-P28-3500SD	P3K-P28-3500SD	P4K-P28-3500SD	P5K-P28-3500SD
91,57-95,25	3.605-3.750	P2K-P28-3625SD	P3K-P28-3625SD	P4K-P28-3625SD	P5K-P28-3625SD
94,74-98,43	3.730-3.875	P2K-P28-3750SD	P3K-P28-3750SD	P4K-P28-3750SD	P5K-P28-3750SD
97,92-101,60	3.855-4.000	P2K-P28-3875SD	P3K-P28-3875SD	P4K-P28-3875SD	P5K-P28-3875SD
101,09-104,78	3.980-4.125	P2K-P28-4000SD	P3K-P28-4000SD	P4K-P28-4000SD	P5K-P28-4000SD
104,27-107,95	4.105-4.250	P2K-P28-4125SD	P3K-P28-4125SD	P4K-P28-4125SD	P5K-P28-4125SD
107,44-111,13	4.230-4.375	P2K-P28-4250SD	P3K-P28-4250SD	P4K-P28-4250SD	P5K-P28-4250SD
110,62-114,30	4.355-4.500	P2K-P28-4375SD	P3K-P28-4375SD	P4K-P28-4375SD	P5K-P28-4375SD
113,79-117,48	4.480-4.625	P2K-P28-4500SD	P3K-P28-4500SD	P4K-P28-4500SD	P5K-P28-4500SD
116,97-120,65	4.605-4.750	P2K-P28-4625SD	P3K-P28-4625SD	P4K-P28-4625SD	P5K-P28-4625SD
120,14-123,83	4.730-4.875	P2K-P28-4750SD	P3K-P28-4750SD	P4K-P28-4750SD	P5K-P28-4750SD
123,32-127,00	4.855-5.000	P2K-P28-4875SD	P3K-P28-4875SD	P4K-P28-4875SD	P5K-P28-4875SD
126,49-130,18	4.980-5.125	P2K-P28-5000SD	P3K-P28-5000SD	P4K-P28-5000SD	P5K-P28-5000SD
129,67-133,35	5.105-5.250	P2K-P28-5125SD	P3K-P28-5125SD	P4K-P28-5125SD	P5K-P28-5125SD
132,84-136,53	5.230-5.375	P2K-P28-5250SD	P3K-P28-5250SD	P4K-P28-5250SD	P5K-P28-5250SD
136,02-139,70	5.355-5.500	P2K-P28-5375SD	P3K-P28-5375SD	P4K-P28-5375SD	P5K-P28-5375SD
139,19-142,88	5.480-5.625	P2K-P28-5500SD	P3K-P28-5500SD	P4K-P28-5500SD	P5K-P28-5500SD
142,37-146,05	5.605-5.750	P2K-P28-5625SD	P3K-P28-5625SD	P4K-P28-5625SD	P5K-P28-5625SD
145,54-149,23	5.730-5.875	P2K-P28-5750SD	P3K-P28-5750SD	P4K-P28-5750SD	P5K-P28-5750SD
148,72-152,40	5.855-6.000	P2K-P28-5875SD	P3K-P28-5875SD	P4K-P28-5875SD	P5K-P28-5875SD

*Complete with drive mechanism and two universal joints.

Honing Stones and Guide Shoes:

18,90-25,40 mm (.744"-1.000") Hand-Feed Portahones use standard P20 size honing stones and Guide Shoes found on pages 48-53.

25,15-152,4 mm (.990"-6.000") Hand-Feed and Remote-Feed Portahones use standard P28 or R28 blind hole honing stones and Guide Shoes found on pages 58-59.

Portahones 66,68 mm (2.625") and larger require two Guide Shoes for each stone used in the Portahone.

For Portable Use of Machine Tooling

Universal Joint



Included with Remote Feed Portahone but must be ordered separately for Hand-Feed Portahones. Universal Joint is required on a hand-held unit to provide full floating action in a setup where the part and power source are rigidly mounted.

Order as follows:

AN-70

Universal Joint for Remote Feed Portahones with part numbers R_G-P28-1000VA through R_G-P28-1375WC and Hand-Feed Portahone with part numbers P_G-P20-750UA through P_G-P28-1375WC

AN-670

Universal Joint for Remote Feed Portahones with part numbers R_G-P28-1500WD through R_K-P28-5875SD and Hand-Feed Portahones with part numbers P_G-P28-1500WD through P_K-P28-5875SD

Quick Coupler



The quick couplers provide instant coupling or uncoupling of the Portahone and the drive motor – leaves hands free to gage the bore, or insert or remove the Portahone from the work.

Order as follows:

AN-80

Quick Coupler for Remote Feed Portahones with part numbers R_G-P28-1000VA through R_G-P28-1375WC and Hand-Feed Portahones with part numbers P_G-P20-750UA through P_G-P28-1375WC

AN-85

Quick Coupler for Remote Feed Portahones with part numbers R_G-P28-1500WD through R_K-P28-5875SD and Hand-Feed Portahones with part numbers P_G-P28-1500WD through

Driving Power

12,7 mm (1/2") chuck capacity required for Remote Feed Portahones diameter range 25,4 mm (1") through 66,68 mm (2.625") and for Hand-Feed Portahones diameter range 18,90 mm (.744") through 38,10 mm (1.500"). 15,0 mm (5/8") chuck capacity required for Remote Feed Portahones diameter range 66,68 to 152,4 mm (2.625" to 6.000") and for Hand-Feed Portahones diameter range 37,60 to 152,40 mm (1.480" to 6.000").

Open and Blind Hole Conversion

All Portahones 25,4 mm (1") size or larger can be easily converted for blind or open hole work. Call Customer Service Department for details.

AN-1055 Drill Motor Kit (220V, 50Hz)

(Does not come equipped with electrical plug)

AN-1060 Drill Motor Kit (115V, 60Hz)

For Sunnen Portable Equipment and Cylinder Honers



Sunnen Portable Honers may be driven by a wide variety of power units such as air drills, electric drills, hydraulic motors, radial drills, drill presses, etc.

The heavy duty, slow speed electric drill is one of the more popular methods of driving these honers. The AN-1055/1060 Drill Motor Kit is available from Sunnen for honing bores larger than five inches.

Furnished with Sunnen Quick Coupler, which has both AN-97 and AN-87 Yoke Adapters for direct connection to most Sunnen portable honing tools.

This drill motor kit is geared for the lower speeds and, as a result, has high torque. As a safety precaution, some method should be provided to take the honing torque off the operator.

The AN-1055/1060 Drill Motor is suggested for use with the AN-815 Portable Hone in the diameter range of five inches and larger. It may also be used with the AN-815 and other Sunnen Portable Honers for bores smaller than 127 mm (5"). However, better performance is usually obtained in smaller bores by using a drill motor having faster rpm.

AN-1075 Speed Control Unit

(Not available in 50Hz)

Bore sizes of about 203 mm (8") will hone satisfactorily at the 165 rpm full-load speed of the AN-1060 Drill Motor Kit (shown at the top of the page). For larger bores the use of the AN-1075 Speed Control Unit will provide even slower rpm from the drill motor.



The AN-1075 Speed Control Unit maintains approximately constant torque (not constant horsepower) of the drill motor as the speed is reduced. However, electric drill motors are fan cooled and the lower rpm does reduce the flow of cooling air. For this reason, we suggest that any electric drill be operated no slower than one-half of the full-load rpm. Considering this limitation, the AN-1075 Speed Control used with the AN-1060 Drill Motor will operate as slow as 82 rpm and will provide correct rpm for honing diameters as large as 381 mm (15").

Also may be used for speed control of other AC-DC drill motors and motors (brush-type only) where nameplate ampere rating is 15 amps or less.

STANDARD
MANDRELS

STANDARD
TOOLING

PORTABLE
TOOLING

CUSTOM
TOOLING

ABRASIVES

MACHINE
ACCESSORIES

GAGING

FILTERS

HONING FLUIDS
& COOLANTS

TECHNICAL
DATA